

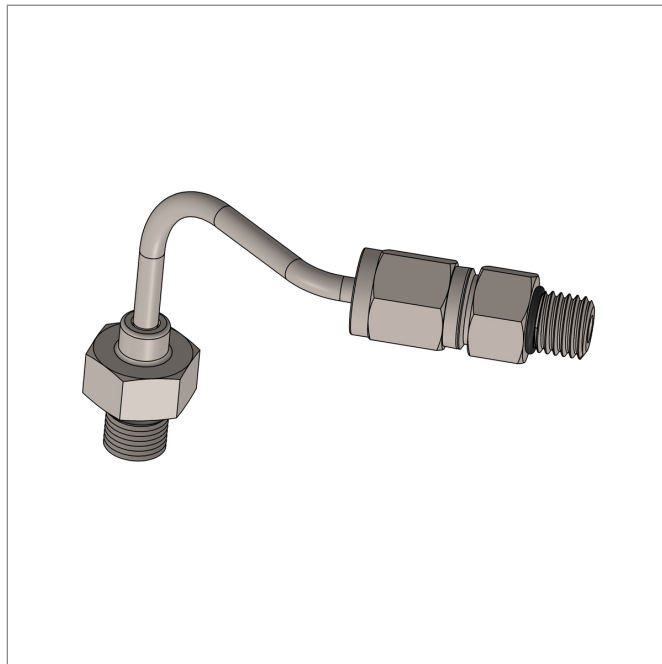
Part No.

NPAK-0060

NPAK tube connecting to top of fine adjust vernier, tube fittings

Replacement parts for hand pumps, calibration manifolds, nitrogen sources and volume controllers

Features



NPAK-0060